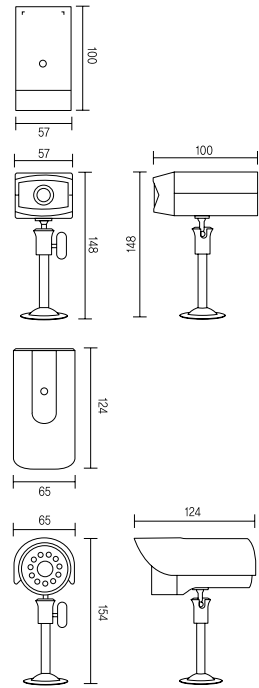


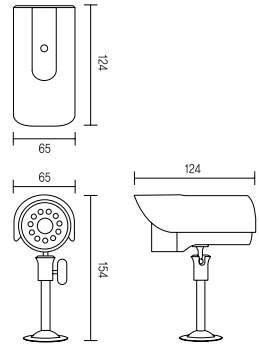
SMT-190DN SMT-190DP

Net Dimensions
(mm)

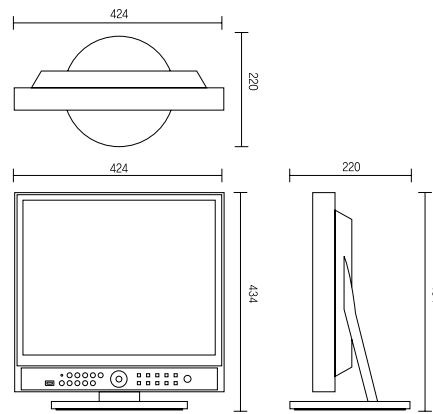
2 Weather Resistant Cameras



2 Night Vision Cameras



19" LCD Built-in with DVR



Product composition

- 19" LCD + 8CH DVR
- 2 Weather Resistant Cameras
- 2 Night Vision Cameras
- Built in 250GB HDD
- 60ft Cable
- Camera Bracket
- Remote Controller

Key Features



19" LCD Built-in with DVR

- Network (Dual CODEC)
- Built in 250GB HDD
- Simultaneous operations
 - Live/ Recording / Play back/ Networking
- Easy Setup : Plug & Play
- Remote Monitoring & Recording over Internet
 - Supports Cable / DSL Modem(Static & Dynamic IP)
- Convenient Search & Playback
 - Search by Time, Date, Camera ID, Event & Text
- Motion detection with notification via e-mail
- Displays up to 8 Cameras on One Screen
- USB2.0 : Data copy using External Device such as CD-RW
- Brightness 300 (cd/m²)
- Contrast Ratio 1000:1
- Response Time of 5ms

2 Weather Resistant Cameras

- 1/4" Super HAD IT CCD
- Weather Proof with Optional Housing
- Focal Length of 3.8mm to Observe Wide Area
- Sensor jack used to connect the sensor to the camera

2 Night Vision Cameras

- 1/4" Super HAD IT CCD
- Built in IR LED : 10 pcs
- Min. Low Illumination
 - Normal : 2Lux (Color)
 - Night : 0Lux (B/W)

*Design and specifications are subject to change without notice



SAMSUNG ELECTRONICS CO., LTD.

416 Maetan-3Dong, Yeongtong-Gu, Suwon-City, Gyeonggi-Do, Korea 443-742
Tel: +82-31-277-3342~7 Fax: +82-31-277-6594
<http://www.samsungsecurity.com>

Distributed by



Imagine DIY Security Systems

Protect your business and home with the easy-to-use and convenient LCD DIY Kit



SMT-190DN/190DP Samsung DIY Security Systems



Protect your business and home with the all-in-one and easy-to-use slim LCD DIY Kit



Built-in DVR

The 8-Channel Video/Audio Built-in DVR feature along with the 19" LCD monitor allows for 1625 hours of recording with the Time-Lapse Mode all without an external recorder.



Remote Monitoring through Network

The easy-to-use, Built-in Web server enables remote monitoring over the Internet through various broadband networks such as DSL, cable modem and LAN to monitor your business and home. (Built-In Web Server. Free DDNS Website Host. Free Management Software)

Why do people want DIY security systems?

[Easy & Convenient Installation]

Monitoring your business and home will be as easy as 1, 2, and 3. BNC input and RCA output in monitor provide flexibility and control for the users, installation is so quick and easy.



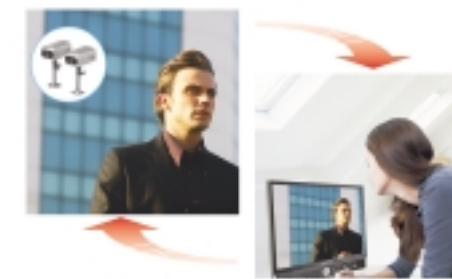
No need for a professional installer to do your work.

[Saving Money]

More cost effective than non-DIY because there are no installation fees.

[Peace of Mind]

Monitor all assets securely in a home, office, warehouse, garage, etc.



2 Way Audio

The easy-to-use 2-way audio feature, you never need to go outside to check who is at the door of your business and home. Check the monitor and use the audio system to communicate back-and-forth with your guest.



Easy Back Up (USB 2.0 interface)

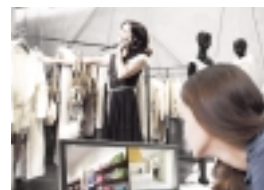
The easy back-up system allows you to store your recorded data onto your USB storage. Video critical for investigation and archiving can be easily exported to a USB memory storage using the plug-and-play option.

Where can you install your camera?

Safeguard your home: monitor your children, baby sitter, parties and view whilst away on vacation. Protect your business: oversee customers, staff, store, reduce theft, parking lot and showroom.



Monitor your assets such as loved ones, home and cars.



Monitor your store and cash register against shoplifters.



Monitor your visitors in all busy places such as the entrance and lobby.



Monitor all your employees and assets against any wrongdoings.



Monitor all your assets before, during and after business hours.



Weather Resistant Camera

The weather resistant casing will protect against light rain, snow and dust making outside installation possible. This allows you to care more about what's inside your business and home.



Infra-Red

Day/Night Cameras

With Night Vision, the ten built-in Infra-Red LED bulbs will provide optimal illumination in the dark. Users will be able to detect human motion as far away as 30 feet.