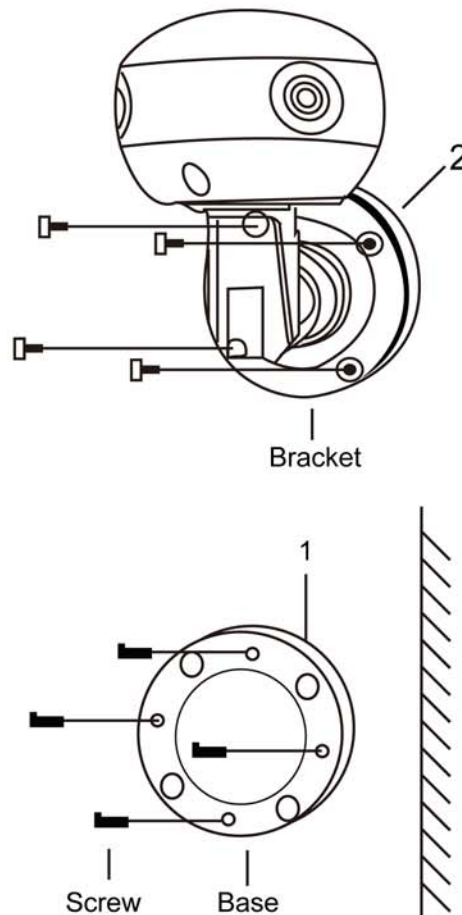


INSTALLATION

1. Attach the mounting bracket base ring ① to the wall or ceiling, wherever you want to install the camera. Locate a wall stud or ceiling joist and secure the bracket base ring using the supplied screws. Attach the mounting bracket ② to the base ring ① and secure them using the supplied screws.
2. Lock the mounting bracket with the locking ring ③.
3. Turn the pivot locking screw ④ with the provided hex-head wrench counterclockwise to set the desired angle of camera toward objects and turn it clockwise to secure. It can be used for wall-mount or ceiling-mount application depending on setting this pivot locking screw.
4. Loosen the locking screw ⑤ with the provided hex-head wrench and turn the camera clockwise or counter-clockwise to upright images on the screen and turn it clockwise to secure.
5. Connect the one end of 100' cable (supplied) to the Din jack of 5' cable attached to the camera. Make sure that two arrows on the top of them should be aimed at each other. There are two video outputs that labeled Video 1 and Video 2 on the BNC (yellow) connector. Connect the Video 1 and Video 2 connectors (BNC or RCA) in sequence to view panoramic objects (180° angle of view). Plug the provided AC adapter to the DC jack (red) of the end of 100' cable.



Package Includes:

- | | |
|-------------------------------|------------------------------|
| 1-Panoramic E.T. Color Camera | 1-Hardware Accessories Kit |
| 1-UL Approved AC Adapter | 1-Instruction Manual |
| | 1-Warranty Registration Card |