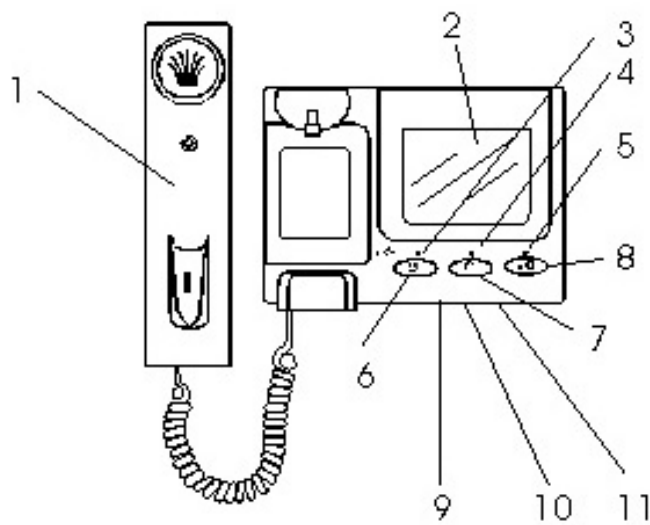


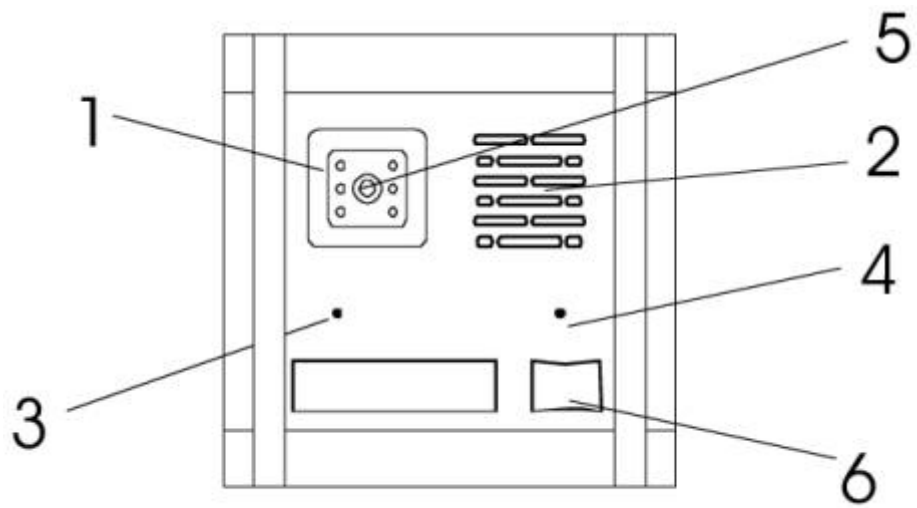
INDOOR MONITOR

1. Handset	6. Monitor Button
Lift to communicate with your visitors.	Press this button to view the picture from the camera
2. Monitor Screen	7. Call Button (intercom function)
4" color LCD-TFT	Press this button to communicate with monitor 2 or monitor 3

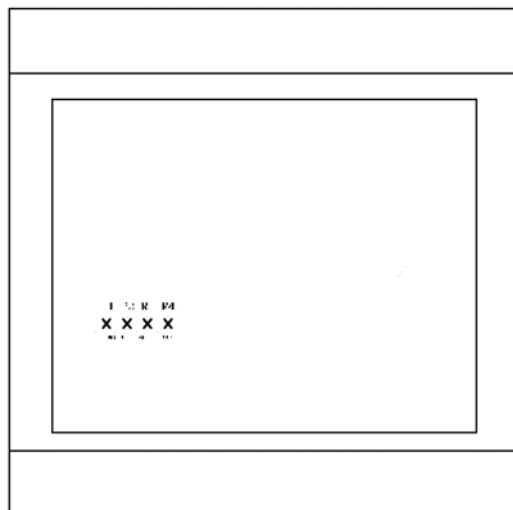


3. Power Lamp (Red)	8. Door Release Button
Indicate if the system is on or off	Release the door to let your visitors come in after viewing them
4. Operate Lamp (Red)	9. Volume
Light on indicates operating	Adjustment of the call sound volume
5. Unlock Lamp (Red)	10. Brightness
Light on indicates unlocking E-lock	Adjustment for image brightness
	11. Contrast
	Adjustment for image contrast

OUTDOOR CAMERA



Front View



Rear View

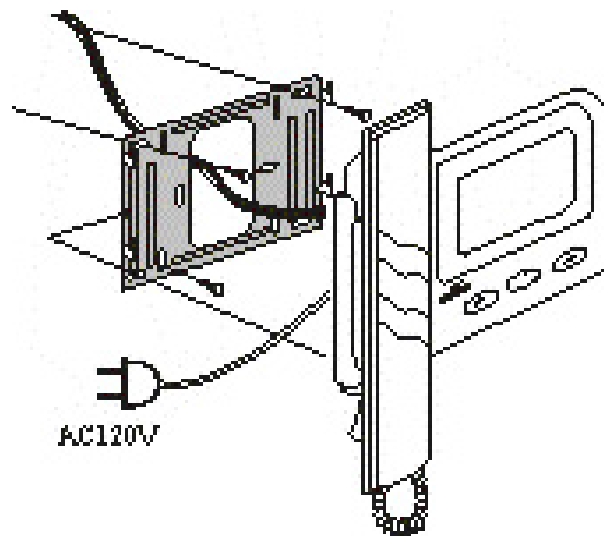
Connector pin configuration

R1	Video output
R2	Ground
R3	Audio signal
R4	DC 13V – 14V

1. Super infrared LEDs Let you see clearly even at night	2. Speaker Broadcasts the voice from the monitor
3. Microphone Picks up the voice of the visitors	4. Optical sensor Sensor for intensity of light
5. Camera Picks up the image of the visitors clearly	6. Call button Chime “ding dong” sound can be heard from inter-phone when this button is pressed, and the camera start working simultaneously

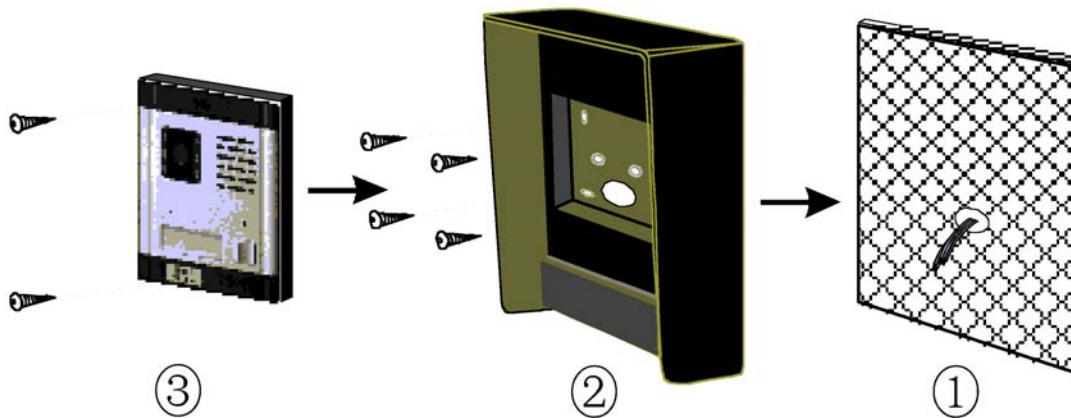
HOW TO INSTALL

1. INSTALLATION OF MONITOR



1. Attach the bracket to the wall to install the monitor. Secure the bracket with the supplied screws.
2. Connect the cable connectors with 4 wires in polarity to the wafer on the rear of the monitor.
3. Fasten the monitor onto the bracket
4. Connect the spring wire of handset
5. Plug the supplied 1A AC adapter to the DC IN jack on the rear of the monitor and plug it into AC 120V outlet.

2. INSTALLATION OF CAMERA



1. Attach the visor (sun or rain) to the wall to install the camera. Secure the visor with the supplied screws (Refer to the above illustration).
2. Connect the cable connectors with 4 wires in polarity to the wafer on the rear of the camera.
3. Install the camera onto the visor with the supplied screws.